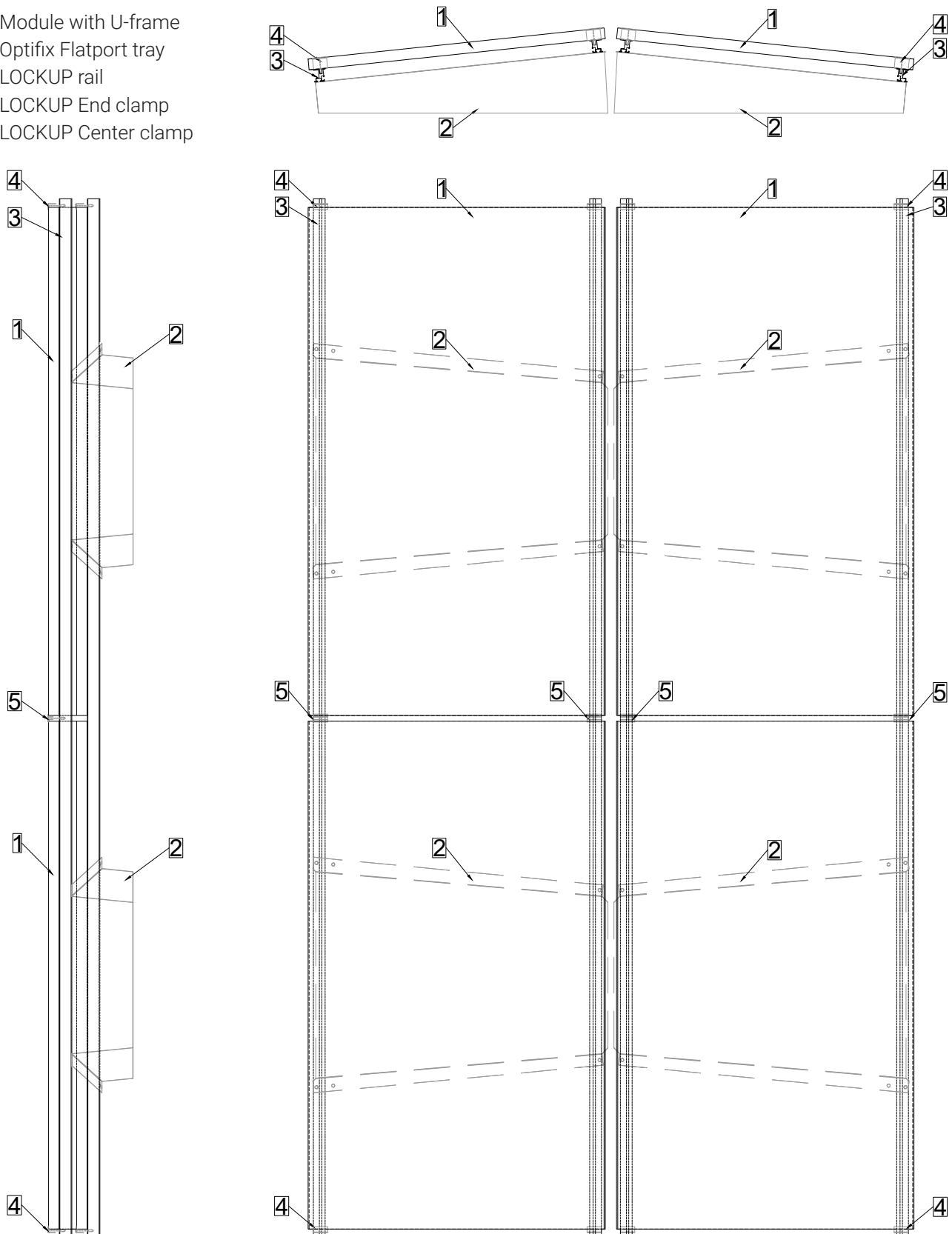


Almost all modules with U-frames are suitable for the LOCKUP system. The modules can be mounted on the substructure in both landscape and portrait orientation. From a beam length of 12m, the module field must be interrupted for a dilatation joint of approx. 60mm. Project specific layout must be made.

- 1 Module with U-frame
- 2 Optifix Flatport tray
- 3 LOCKUP rail
- 4 LOCKUP End clamp
- 5 LOCKUP Center clamp

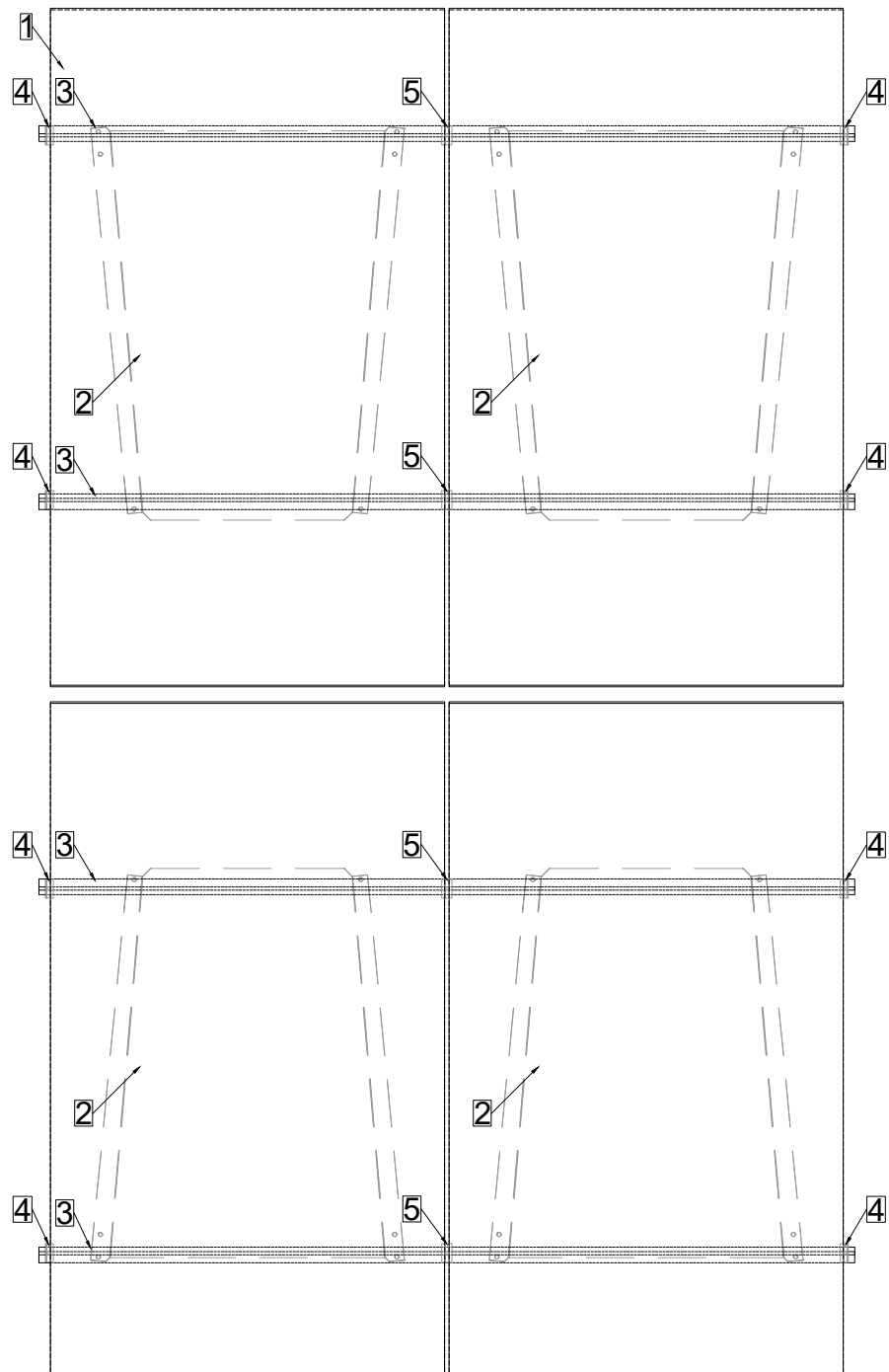
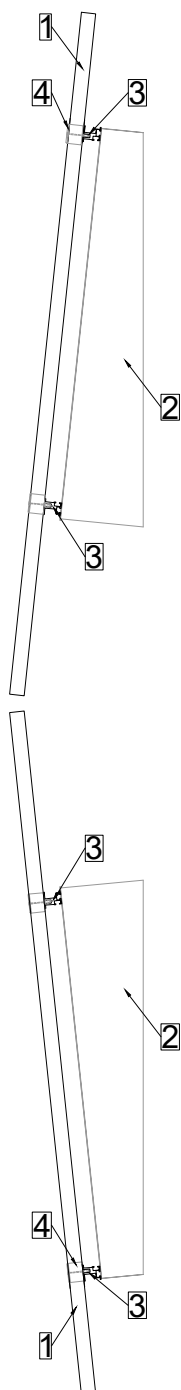
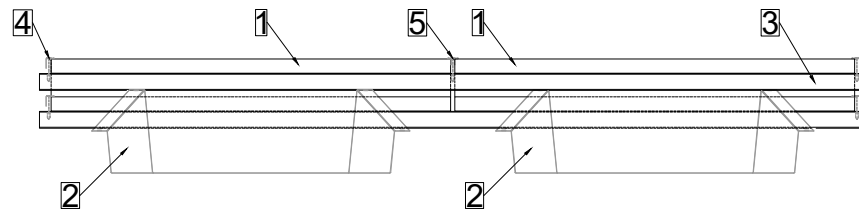


\*More information about the mounting of the modules: mounting instruction for U-frame modules

\*\*Distance variable depending on grid dimensions: the modules can also be mounted adjacent to each other.

Almost all modules with U-frames are suitable for the LOCKUP system. The modules can be mounted on the substructure in both landscape and portrait orientation. From a beam length of 12m, the module field must be interrupted for a dilatation joint of approx. 60mm. Project specific layout must be made.

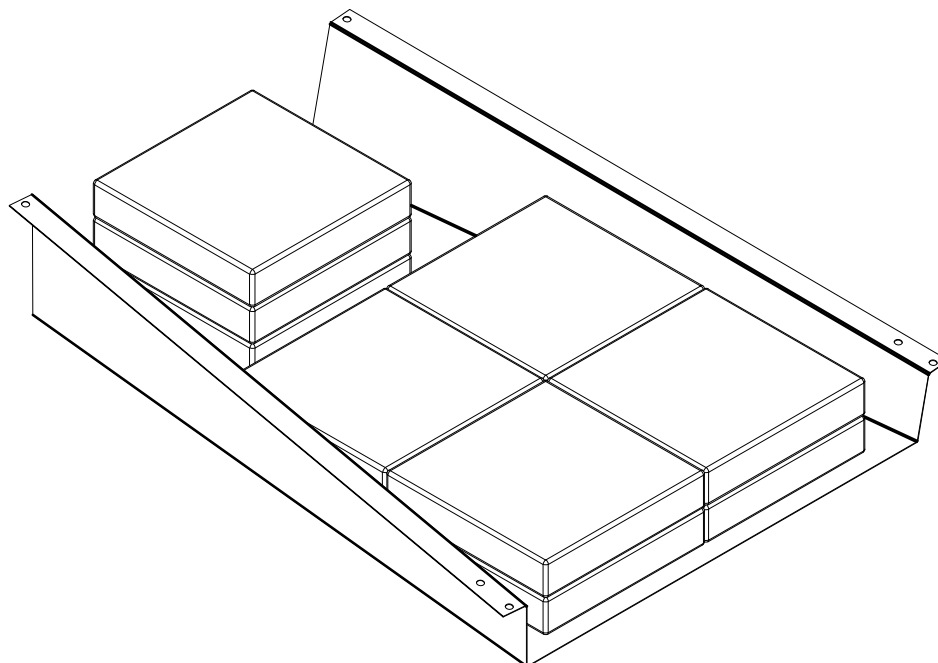
- 1 Module with U-frame
- 2 Optifix Flatport tray
- 3 LOCKUP rail
- 4 LOCKUP End clamp
- 5 LOCKUP Center clamp



\*More information about the mounting of the modules: mounting instruction for U-frame modules

\*\*Distance variable depending on grid dimensions: the modules can also be mounted adjacent to each other.

The exact number of trays must be determined on a project-specific basis (ballasting plan). The maximum cantilever\* and span\*\* of the LOCKUP rails, as well as the maximum weight per tray must be taken into account.



\*Distance of the rail end and the last support point

\*\*longest distance between trays